

# New Product Releases

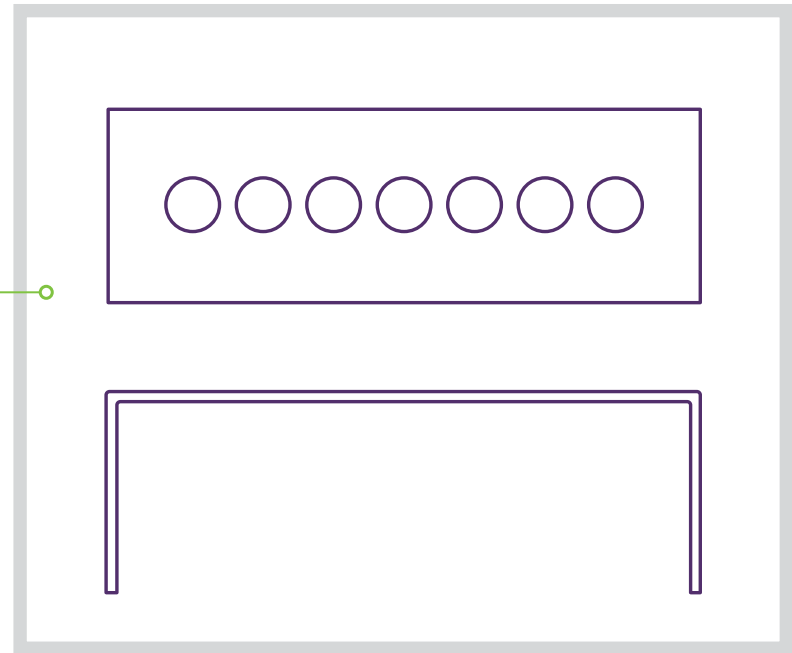
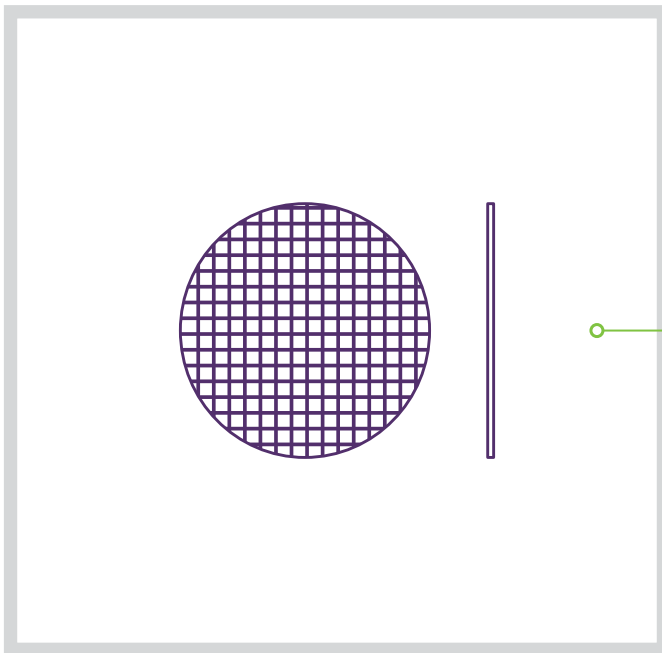
## 4<sup>TH</sup> QTR 2023



QUALITY LAB ACCESSORIES

## CLNCONHLD-PT

7 Position Cleaning Container  
Holder for Pharmatest PTWS-820,  
Polycarbonate

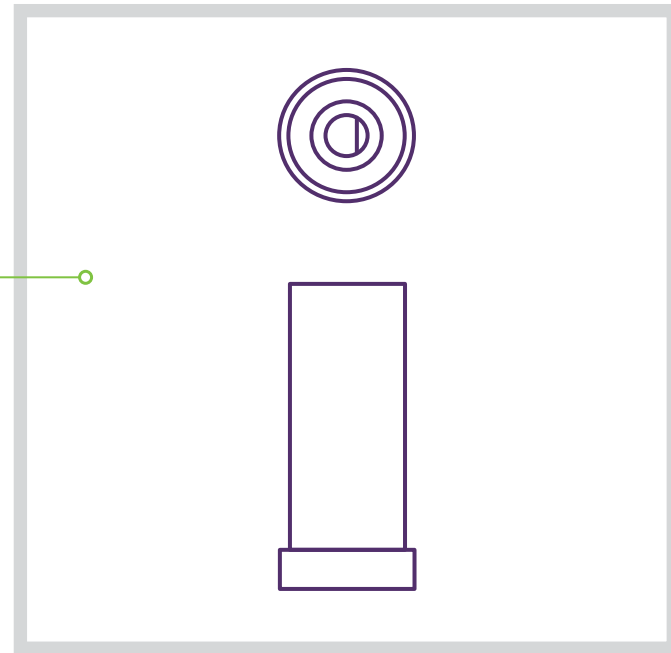
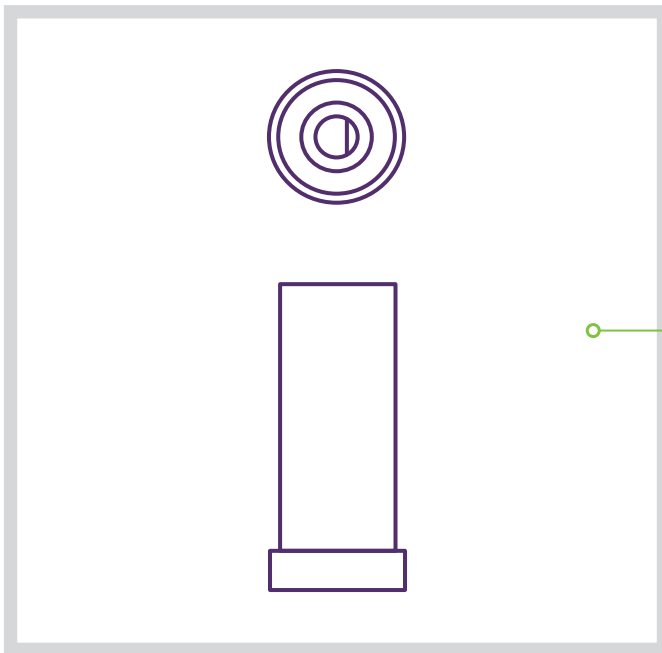


## DISSCR-PT10

10 Mesh SS Screens for 6 Tube Disintegration  
Assembly for Pharmatest Testers (Set/6)

## FIL002-HR

2 Micron Porous Filters, UHMW  
Polyethylene, 1/8" (3.2mm) ID,  
Hanson compatible (Jar/1000)

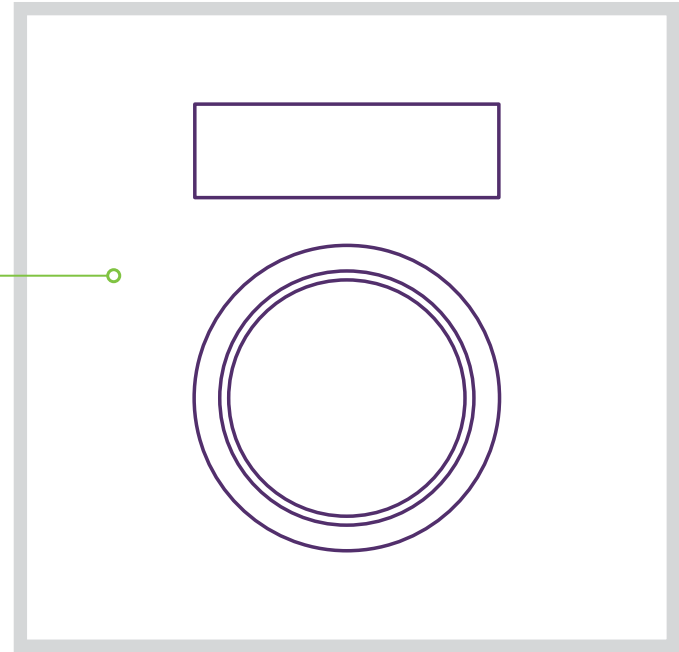
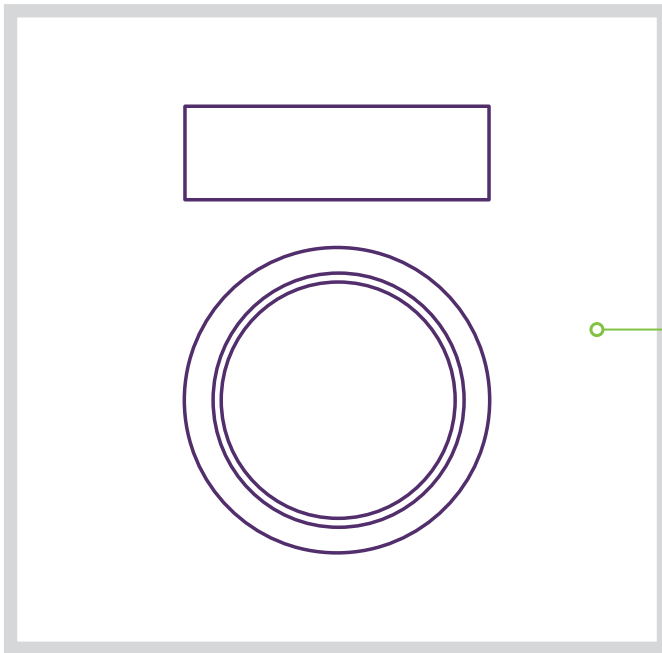


## FIL002-HR-a

2 Micron Porous Filters, UHMW  
Polyethylene, 1/8" (3.2mm) ID,  
Hanson compatible (Pack/100)

## FIL20TL-DK

20 Micron Filter Disks for Twist Lock Probe, UHMW Polyethylene, Distek Compatible (Bag/1000)

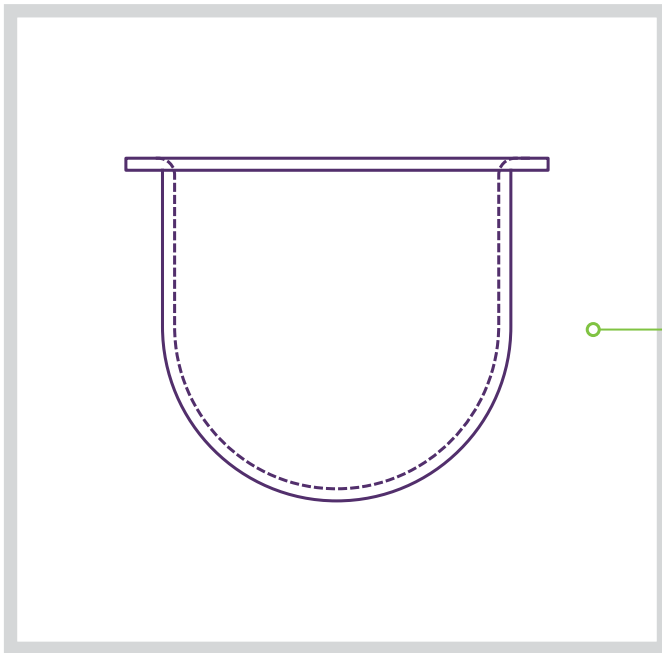
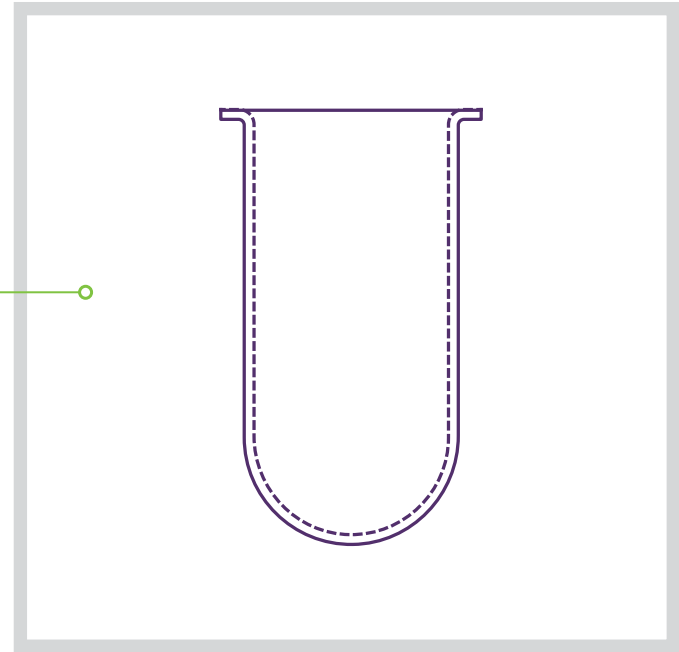


## FIL20TL-DK-a

20 Micron Filter Disks for Twist Lock Probe, UHMW Polyethylene, Distek Compatible (Pack/100)

## GLA250-ACP

250mL Amber Glass Vessel for QLA design  
Chinese Pharmacopeia Small Volume  
Assembly (SMVASSY-xxCP), Serialized

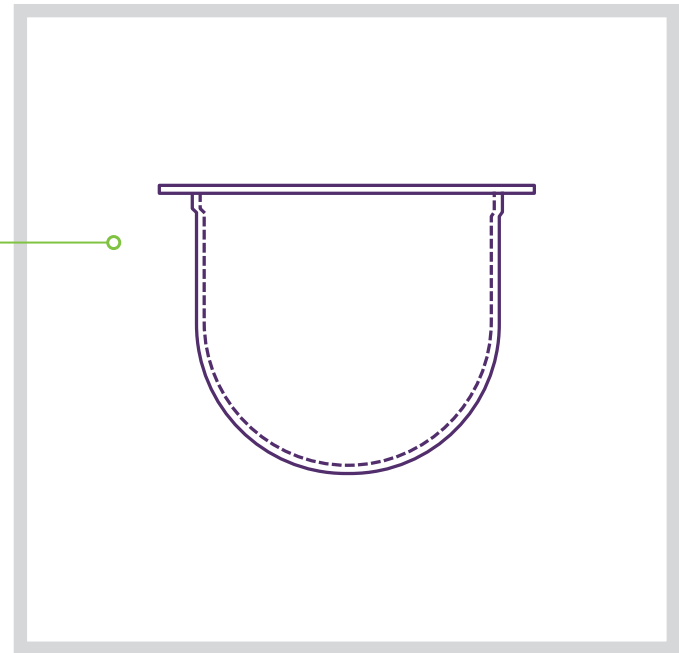
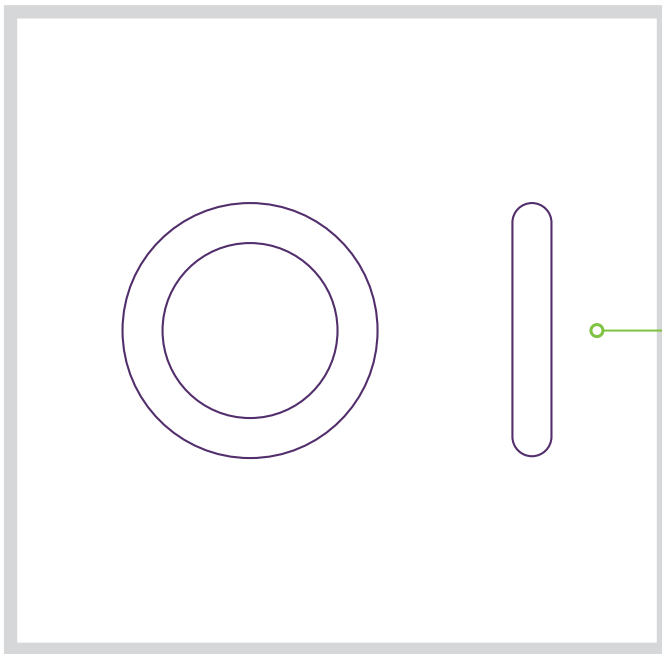


## GLA500-EW

500mL Clear Glass Vessel for Erweka,  
Serialized MOQ 6 pcs

## GLA500-PT

500mL Clear Glass Vessel for  
Pharmatest, Serialized

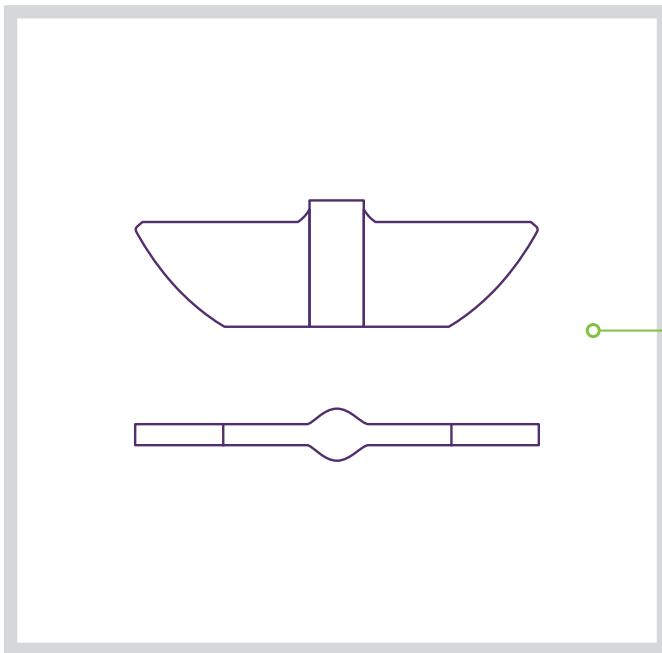
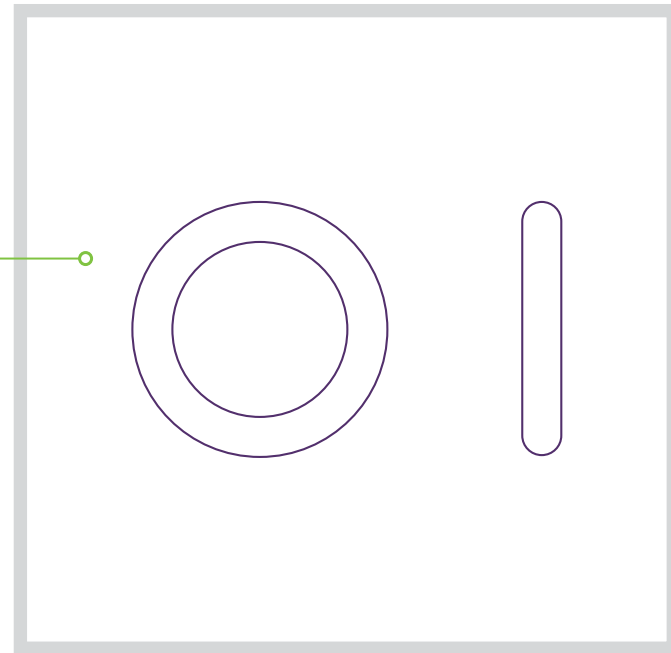


## ORING-55708027

Black Viton O-Ring for Distek Vessel  
Cover Center Cap, 1 1/16" D x 3/32"  
Thick (Pack/12)

## ORING-CANSTPST

Red Silicone O-Ring for CANSTP-ST  
(Pack/12)

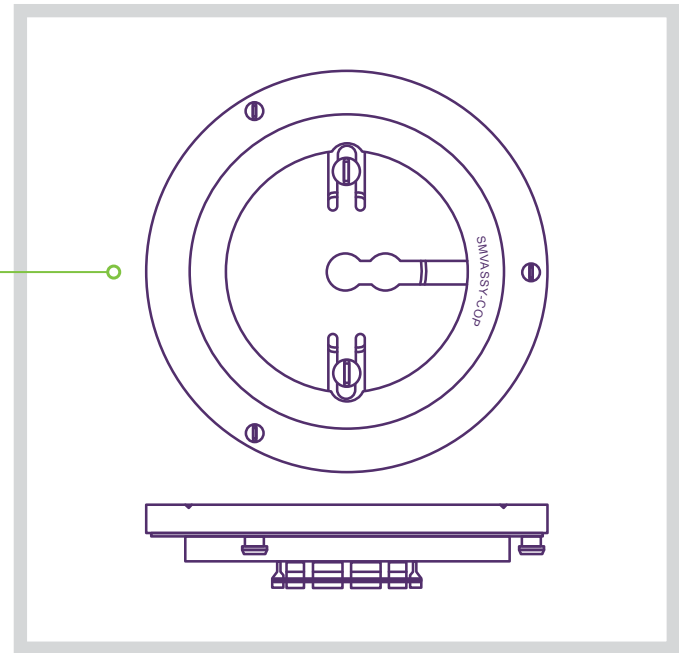
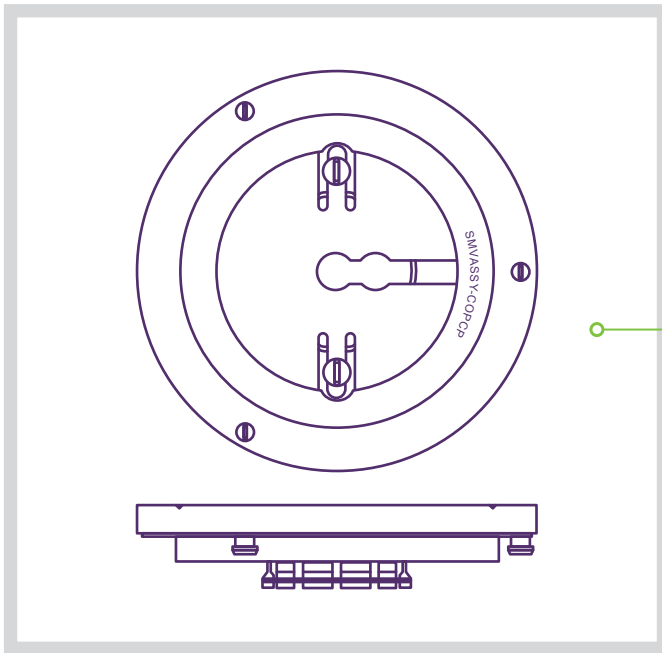


## PDLBLD-TOY

Paddle Blade for Toyama, 10mm  
OD, Electropolished 316 SS,  
Serialized

# SMVASSY-COP

Small Volume Adapter for Copley Baths includes Cover and RING01-COP (QLA design use QLA#GLA100-DK or GLA200-DK vessels)



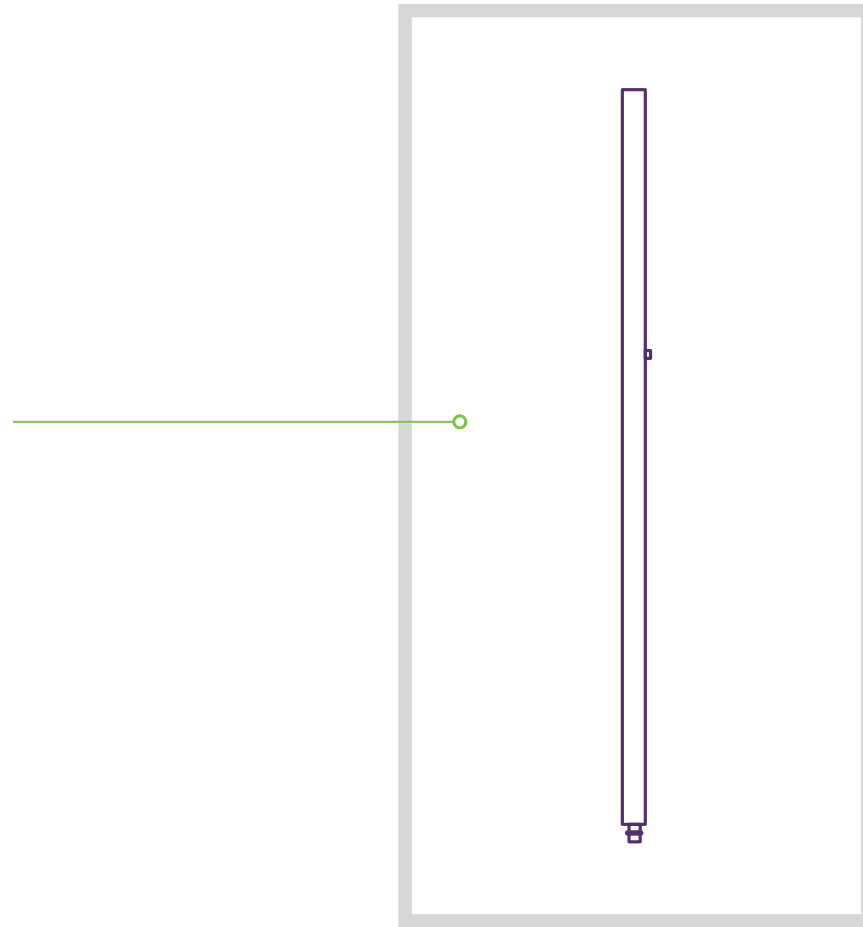
# SMVASSY-COPCP

Chinese Pharmacopeia Small Volume Adapter Assembly for Copley Baths includes Cover and RING01-COP (QLA design use QLA#GLA250-CP vessel)



## SHFT14-TOY

14" (355mm) Detachable Threaded  
10mm OD Shaft for Toyama, 316 SS,  
Serialized





**Please speak with your Sales Rep regarding  
availability of the above.**



QUALITY LAB ACCESSORIES