

New Product Releases

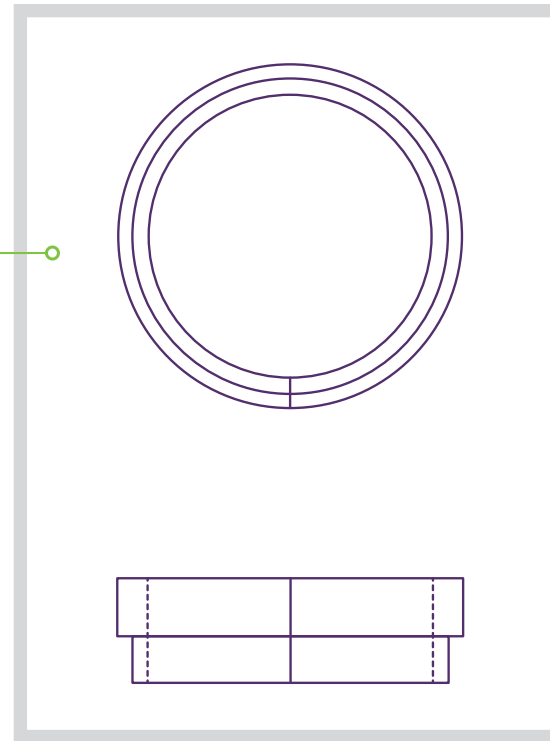
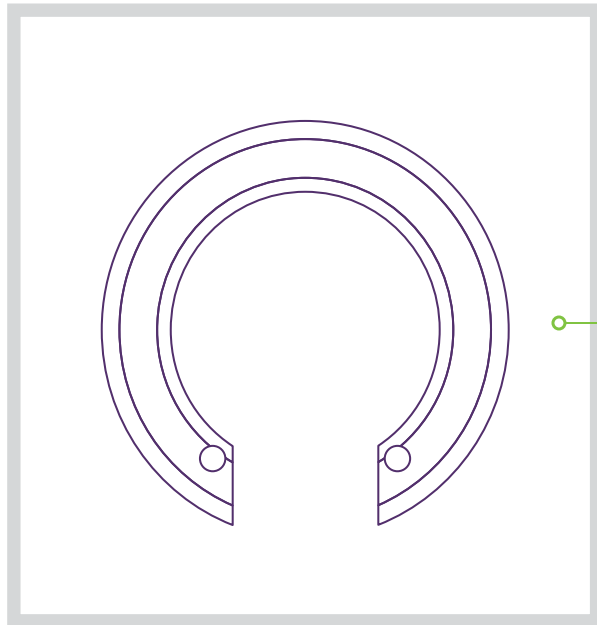
1st QTR 2024



QUALITY LAB ACCESSORIES

4350-ST

Guide Ring for Sotax Baths
(Pack/10)



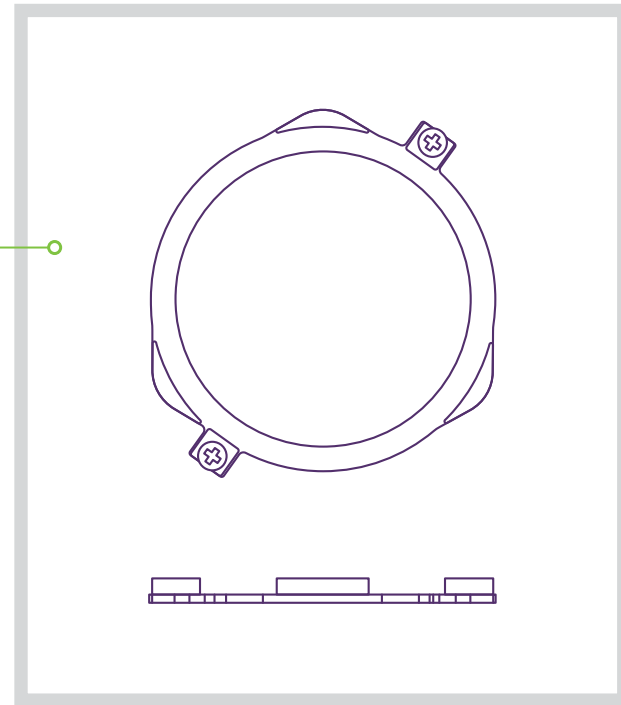
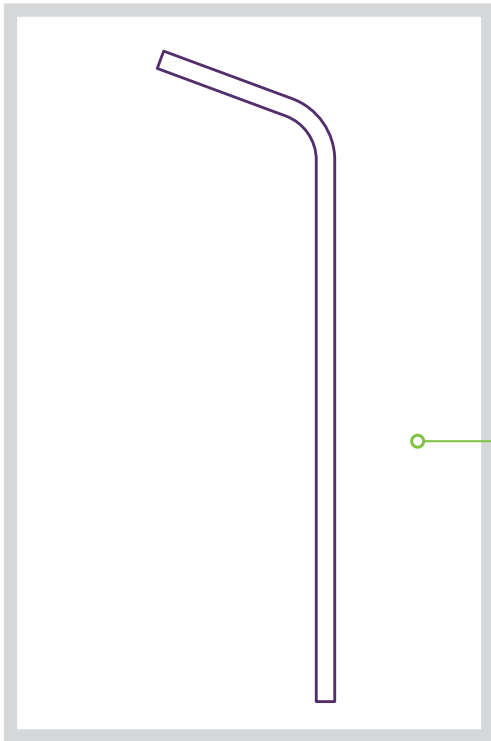
7402-ST

Locking Ring for Sotax Baths

ACCUBKT-DK7100

AccuCenter Bracket for Distek 7100

Baths, includes 316 SS hardware

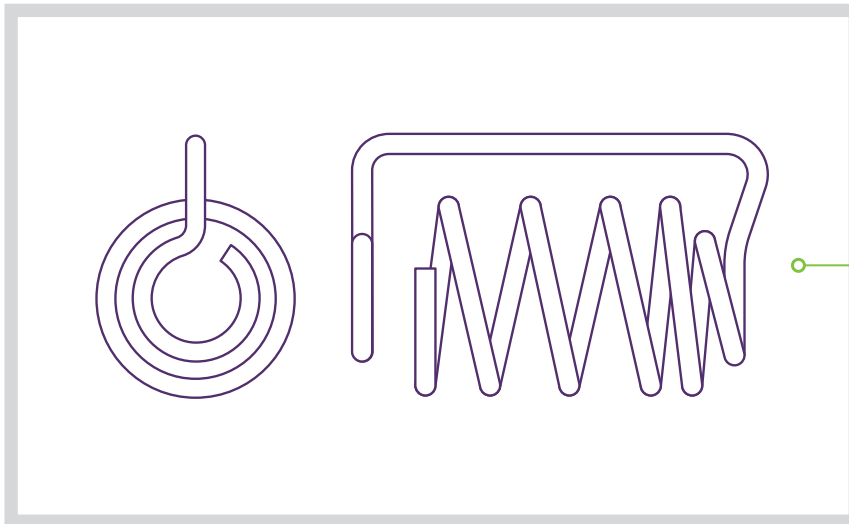
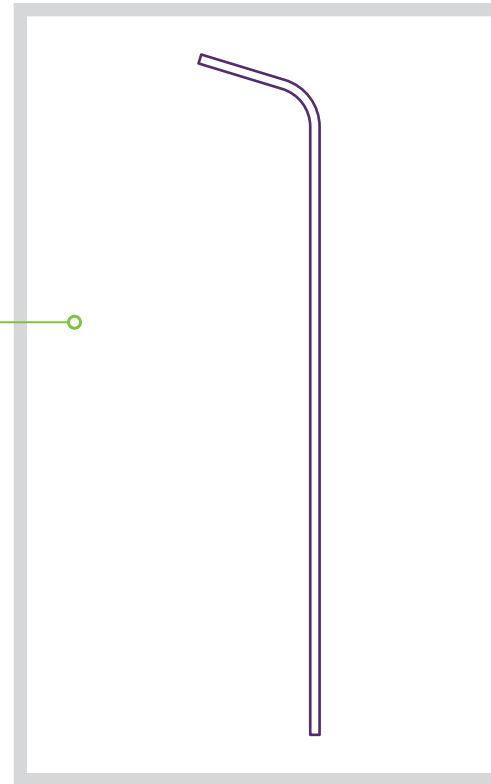


CAN475-SHNL

4.75" (120mm) Bent 316 SS 1/8" (3.2mm) OD
Cannula without Luer Lock

CAN775-SHNL

7.75" (195mm) Bent 316 SS
1/8" (3.2mm) OD Cannula
without Luer Lock

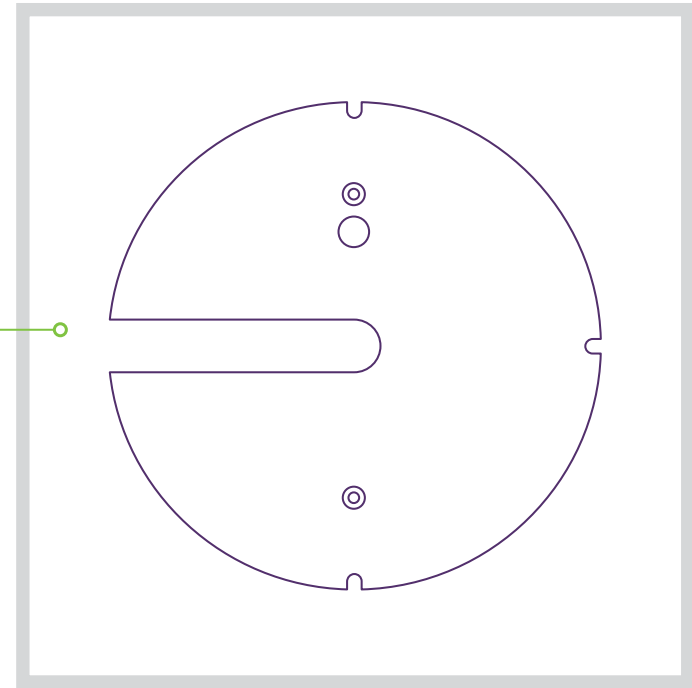
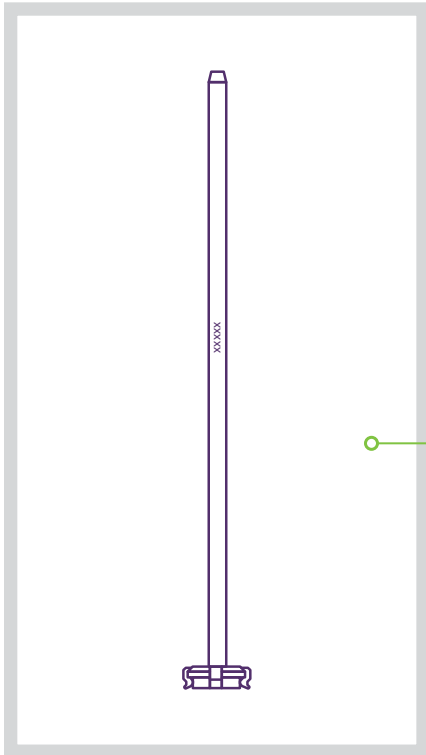


CAPWHT-25114S

Spiral Capsule Sinker, 316 SS, .984" (25mm)
L x .433" (11mm) W capacity, 4 coils

COVERHRV-02

Clear Cover with Paddle Slot for Hanson
Vision Baths (same design as COVERV-01)

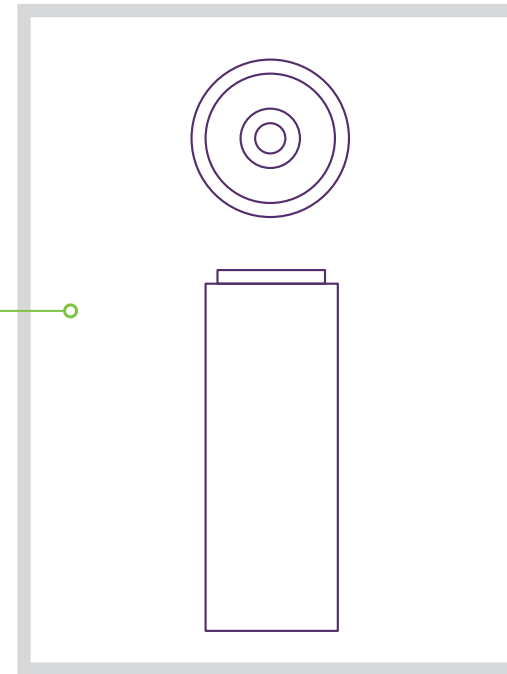
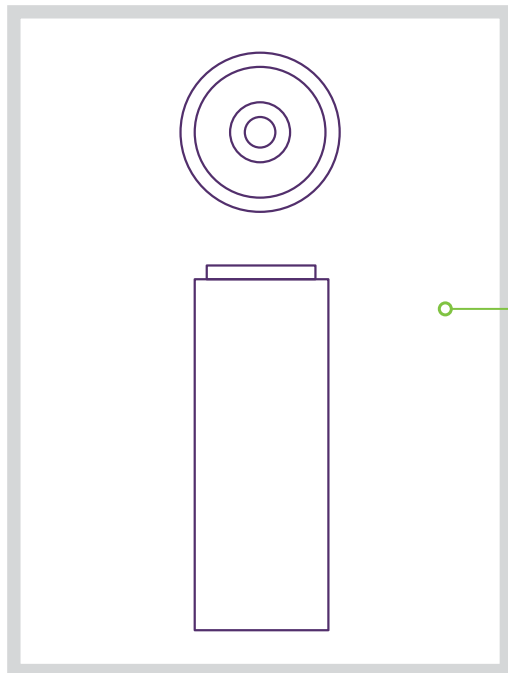


CUSTSHT-21

21" (535mm) Basket Shaft for 24.5mm Basket,
316 SS, Serialized

FIL020-SUN

20 Micron Porous Filters (longer length),
UHMW Polyethylene, SunFlo compatible
(Jar/1000)

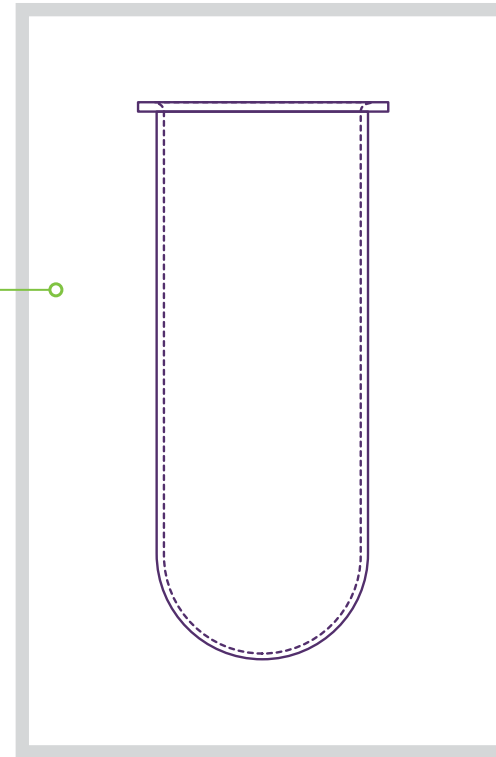
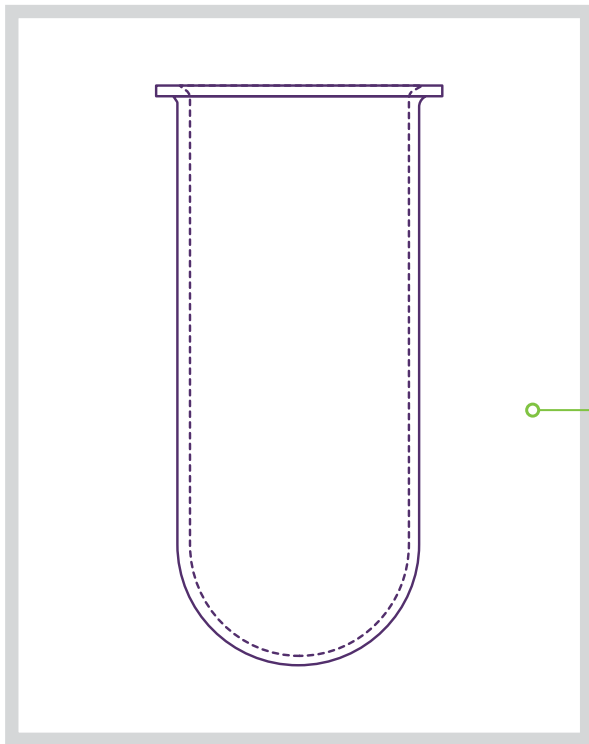


FIL020-SUN-a

20 Micron Porous Filters (longer length),
UHMW Polyethylene, SunFlo compatible
(Pack/100)

GLA02K-EL

2000mL Clear Glass Vessel for Electrolab,
Serialized

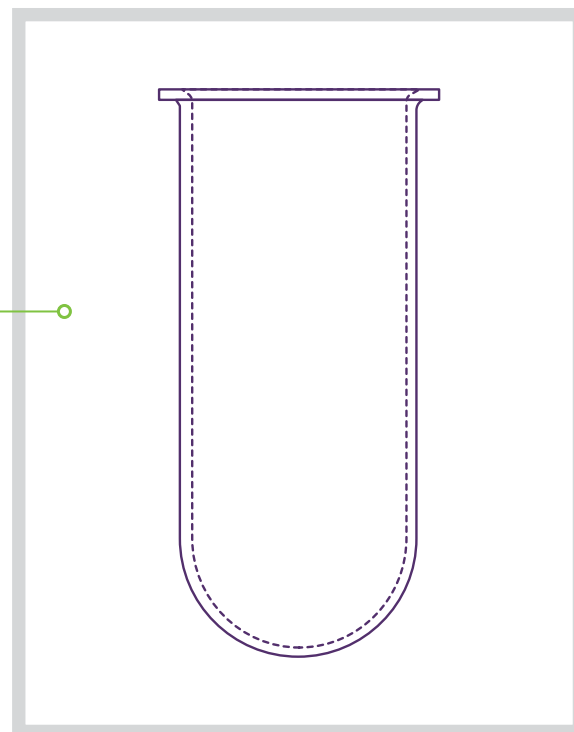
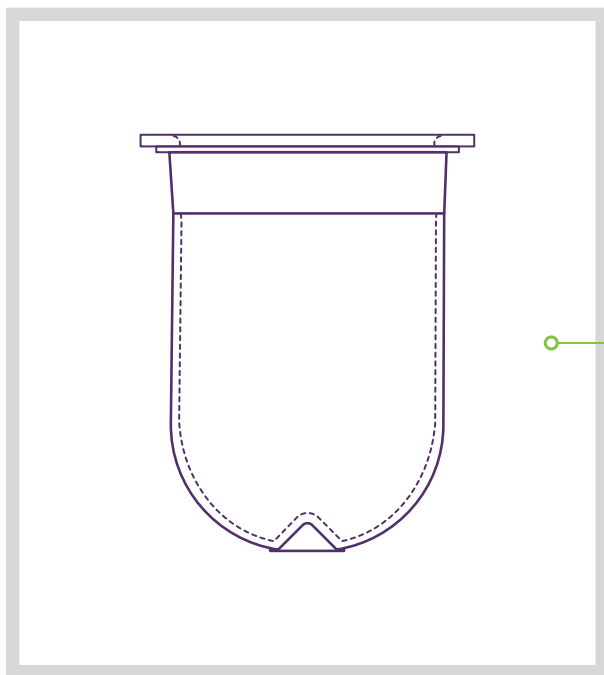


GLA100-EL

100mL Clear Glass Vessel for QLA Small
Volume for Electrolab, Serialized

GLA100-AEL

100mL Amber Glass Vessel for QLA Small
Volume for Electrolab, Serialized

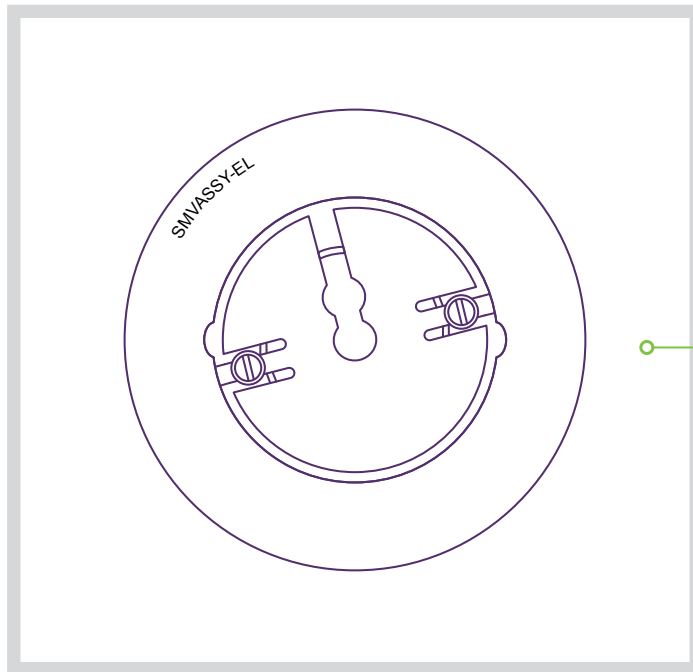
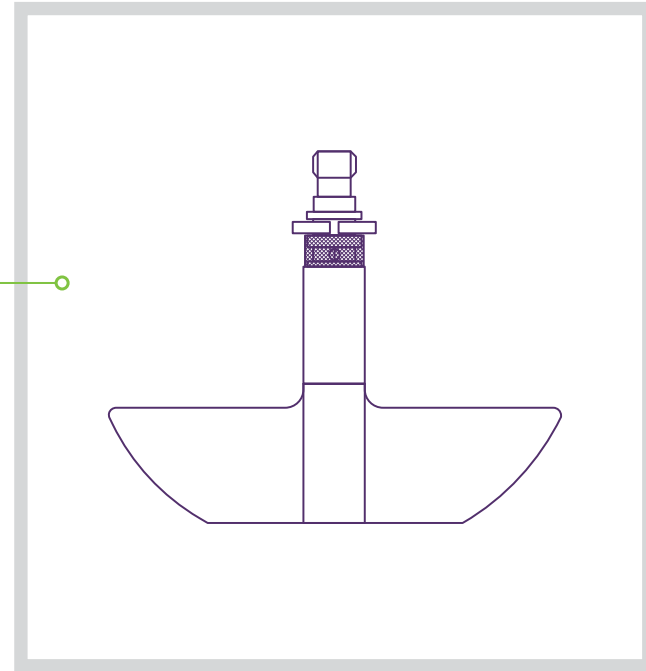


GLA9PK-ALG

1000mL Amber Glass Apex Vessel with
Centering Ring for Logan, Serialized

PDLBLD-STSO

Paddle Blade with sample opening
for Sotax Baths, 316 SS, Serialized

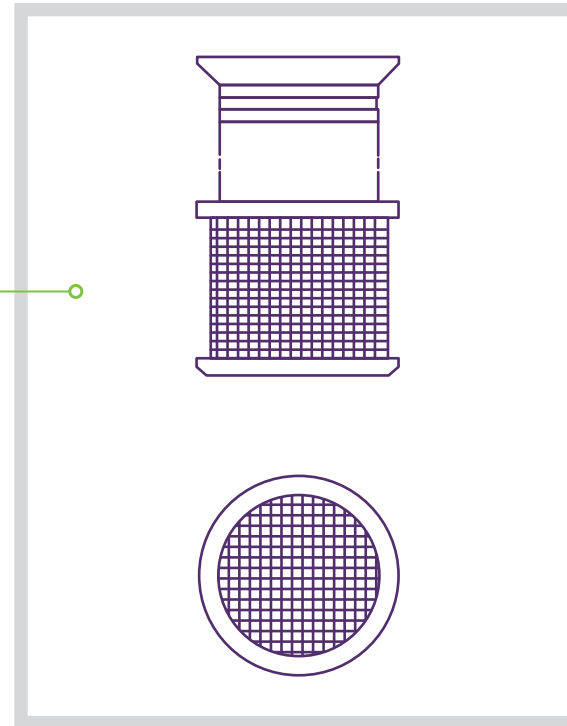
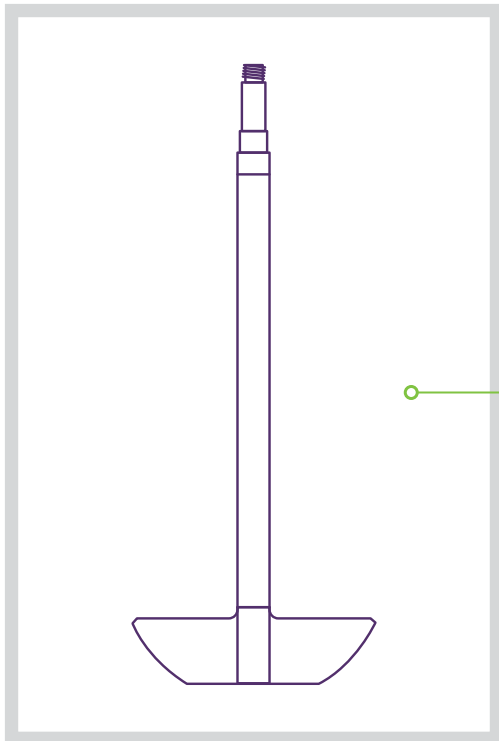


SMVASSY-EL

Small Volume Adapter for Electrolab Baths
includes Cover (QLA design use QLA#GLA100-EL/
AEL or GLA200-EL/AEL vessels)

SNK-20/200VK

200 Mesh Sinker Basket with Lid and
20 Mesh Stability Lining, 316 SS

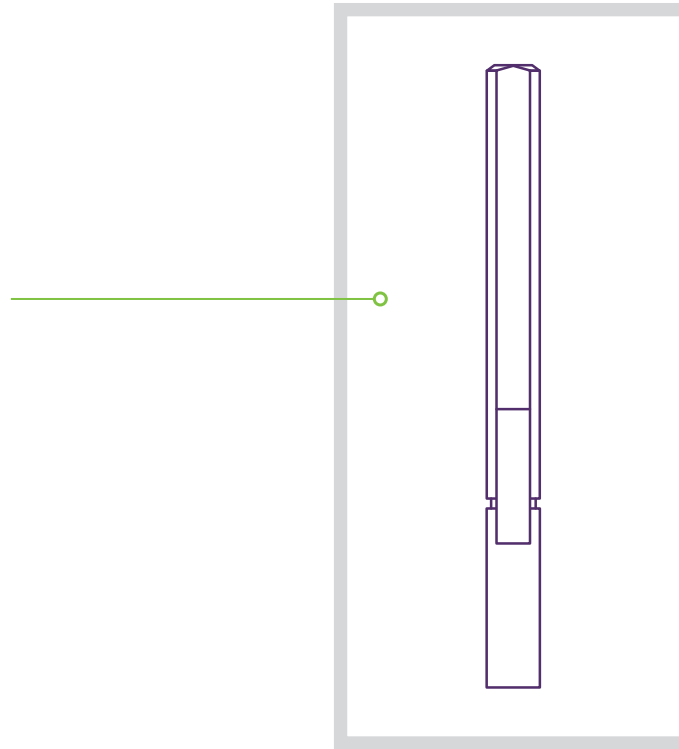


SPNPPD-01

Spin ON/OFF Paddle, Solid
PEEK, Serialized (Upper Shaft
available separately)

SPNSHT-SVEL

Spin ON/OFF 4.6" (117mm) Upper Shaft
with 10mm OD for Electrolab Small
Volume, 316 SS, Serialized





**Please speak with your Sales Rep regarding
availability of the above.**



QUALITY LAB ACCESSORIES