

# New Product Releases

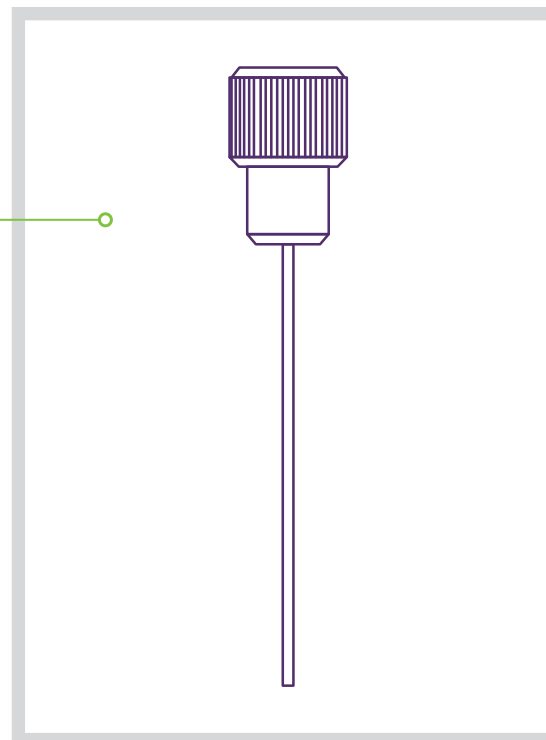
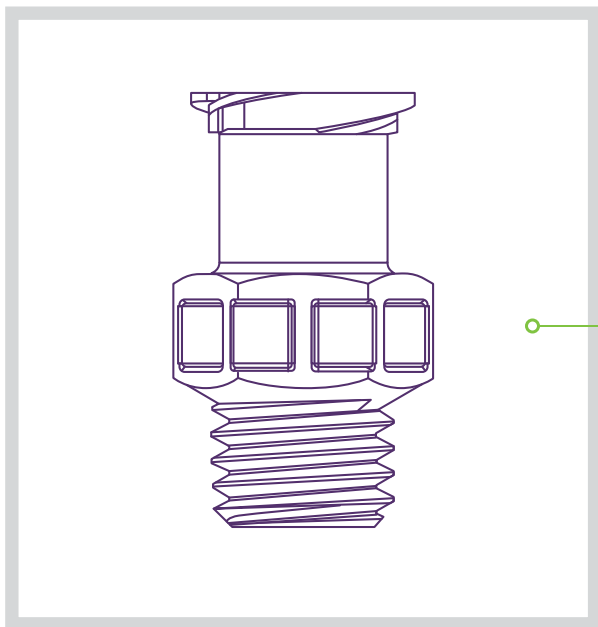
## **3<sup>rd</sup> QTR 2024**



QUALITY LAB ACCESSORIES

## CAN9PK-DSH

900mL Solid Housing Sampling Probe with  
1/16" OD PEEK probe for Distek Baths

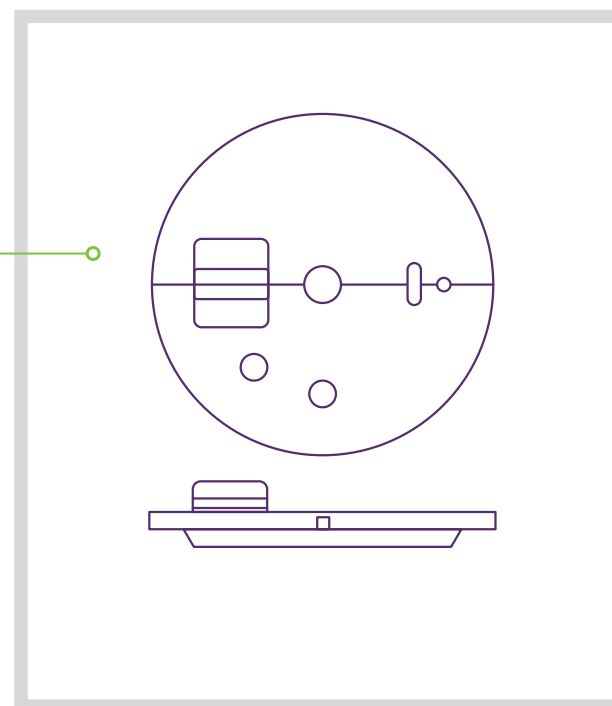
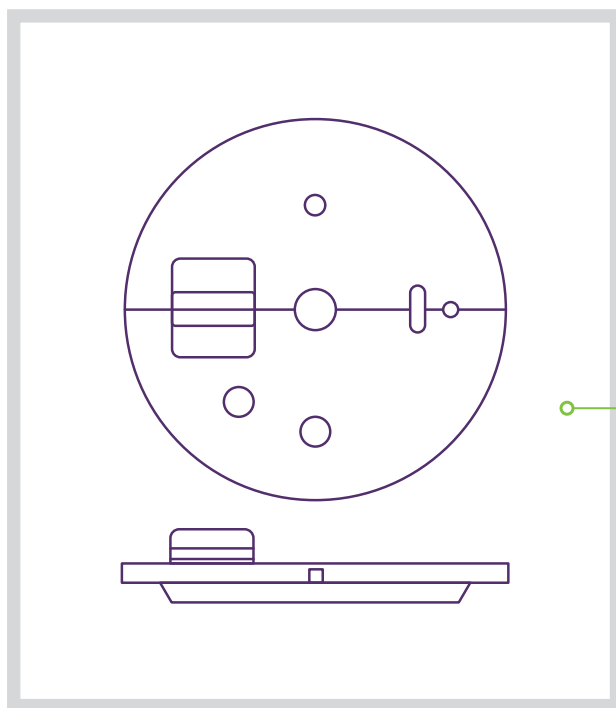


## CANFLU-UN

Threaded Female Luer x Female 1/4-28 Flat  
Bottom Adapter, Polypropylene, .040" Bore

## COVERH-A5

Amber Hinged Cover for Hanson Vision Baths, can be used with AutoMag, AutoMag 3 and the SuperMag in a 1L configuration

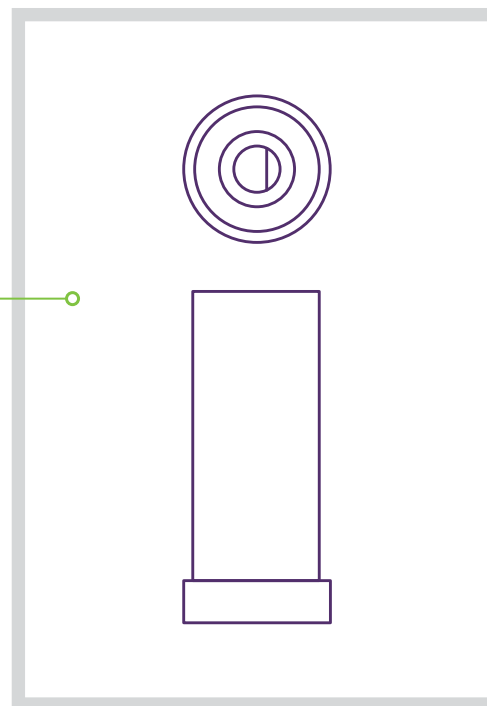
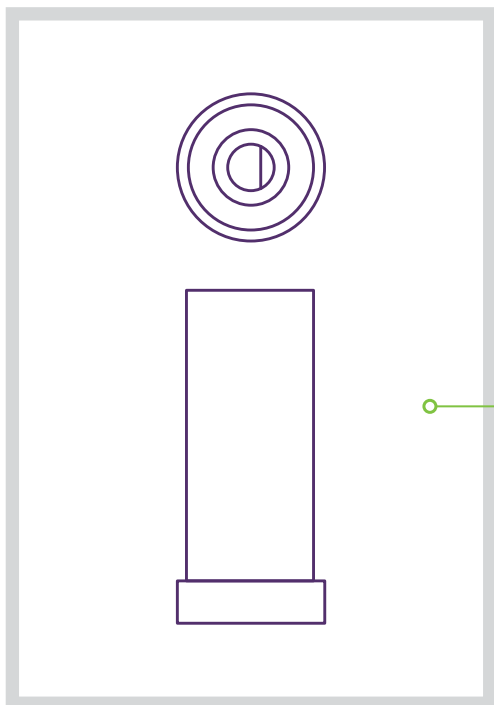


## COVERH-A5SB

Amber Hinged Cover with Extra Hole for Stationary Basket for Hanson Vision Baths, can be used with AutoMag, AutoMag 3 and the SuperMag in a 1L configuration

## FIL070-STK

70 Micron Porous Filters, PVDF, 1/8"  
(3.2mm) ID, Sotax compatible (Jar/1000)

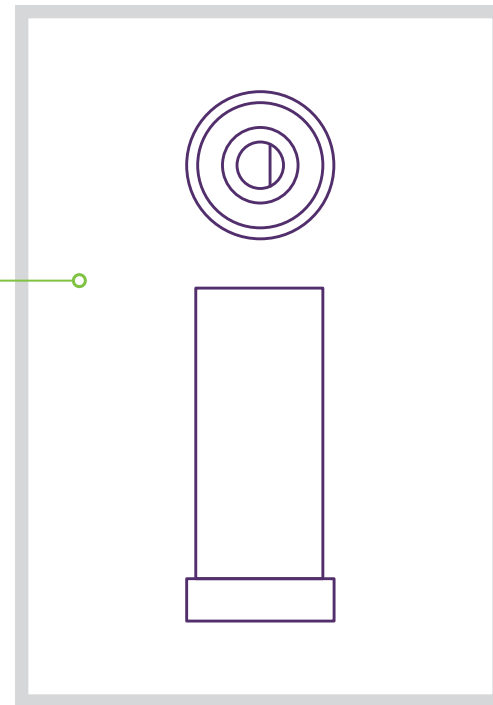
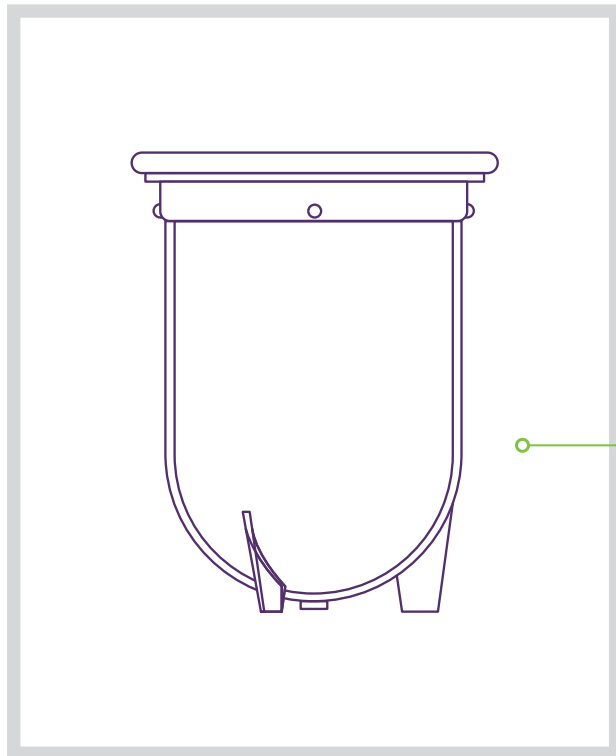


## FIL070-STK-a

70 Micron Porous Filters, PVDF, 1/8" (3.2mm) ID,  
Sotax compatible (Pack/100)

## FIL10S-ST-a

10 Micron Porous Filters, UHMW Polyethylene,  
1/16" (1.6mm) ID, Sotax compatible (Pack/100)



## PLA900-HRV

1000mL Clear Plastic Footed Easi-Lock Vessel  
for Hanson Vision (MOQ 6 pcs)



**Please speak with your Sales Rep regarding  
availability of the above.**



QUALITY LAB ACCESSORIES